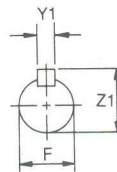
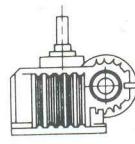
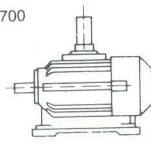
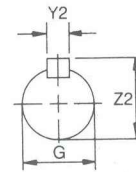


Sizes 1000 to 1700

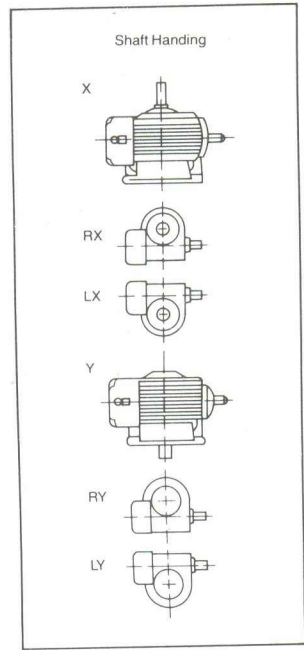
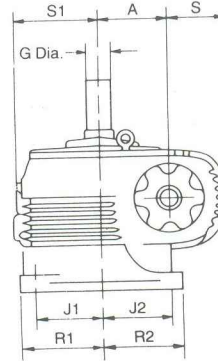
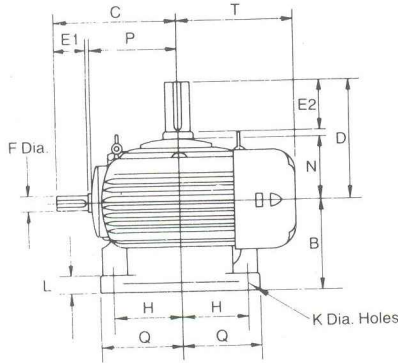
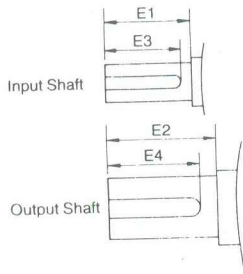


Input Shaft



Output Shaft

Sizes 400 to 800



Single reduction speed reducers

Principal Dimensions (mm)

SIZE	A	B	C	D	E1	E2	E3	E4	F	G	H	J1	J2	K	L	N	P	Q	R1	R2	S	S1	T	Y1	Y2	Z1	Z2
400	101.6	171.5	229	216	67	89	54	83	31.750	44.450	114.3	114.3	114.3	20.6	32	121	159	140	140	140	111	152	222	7.976	11.176	34.47	47.73
									31.735	44.435														7.925	11.125	34.24	47.50
500	127.0	190.5	260	248	73	102	73	95	38.100	50.800	139.7	139.7	139.7	20.6	32	133	184	165	165	165	124	178	254	9.576	12.751	40.72	53.98
									38.085	50.782														9.525	12.700	40.49	53.75
600	152.4	209.6	279	273	76	114	73	114	38.100	57.150	152.4	152.4	152.4	23.8	38	140	200	184	184	184	133	197	270	9.576	15.926	40.72	61.75
									38.085	57.135														9.525	15.875	40.49	61.52
700	177.8	228.6	318	298	86	127	83	114	44.450	63.500	177.8	177.8	177.8	23.8	38	151	229	210	210	210	143	222	305	11.176	15.926	47.73	68.10
									44.435	63.482														11.125	15.875	47.50	67.87
800	203.2	241.3	343	311	89	140	83	127	44.450	69.850	203.2	203.2	203.2	27.0	44	159	251	238	238	238	149	254	327	11.176	19.101	47.73	75.03
									44.435	69.832														11.125	19.050	47.50	74.80
1000	254.0	279.4	425	375	121	152	89	143	57.150	82.550	260.4	260.4	235.0	31.8	51	194	311	311	299	273	160	298	378	15.926	22.276	61.75	89.13
									57.135	82.527														15.875	22.225	61.52	88.87
1200	304.8	304.8	495	413	124	171	89	162	63.500	95.250	317.5	317.5	266.7	34.9	57	216	368	368	356	305	177	356	441	15.926	25.476	68.10	103.20
									63.482	95.227														15.875	25.400	67.87	102.95
1400	355.6	330.2	572	483	149	191	146	210	76.200	114.300	355.6	355.6	304.8	41.3	64	254	425	425	413	362	203	413	521	19.101	31.826	81.38	123.47
									76.182	114.277														19.050	31.750	81.15	123.22
1700	431.8	406.4	699	546	181	203	152	222	82.550	139.700	431.8	431.8	431.8	41.3	76	305	514	502	502	502	241	502	629	22.276	38.202	89.13	150.04
									82.527	139.675														22.225	38.100	88.90	149.73

Standard Nominal Ratios

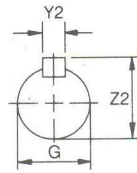
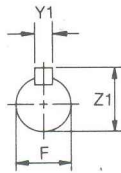
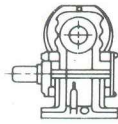
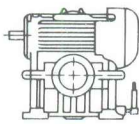
400	5	7.5	10	12.5	15	20	25	30	—	40	50	60	70
500	5	7.5	10	—	15	20	25	30	35	40	50	60	70
600	5	7.5	10	—	15	20	25	30	35	40	50	60	70
700	5	7.5	10	—	15	20	25	30	—	40	50	60	70
800	5	7.5	10	—	15	20	25	30	—	40	50	60	70
1000	5	7.5	10	—	15	20	25	30	—	40	50	60	70
1200	5	7.5	10	12.5	15	20	25	30	35	40	50	60	70
1400	5	7.5	10	12.5	15	20	25	30	—	40	50	60	70
1700	—	—	10	—	15	20	25	30	—	40	50	60	70

Approximate Shipping Specification and Oil Capacities

Size	400	500	600	700	800	1000	1200	1400	1700
Net weight (kg)	77	109	145	200	254	465	690	970	1750
Gross weight (kg)	90	125	163	226	286	580	830	1250	2100
Volume - Wheelshaft up	.12	.17	.21	.28	.44	1.0	1.4	1.9	2.8
packed (cu.m.) - Wheelshaft down	.11	.15	.19	.25	.39	.9	1.3	1.75	2.6
Oil required at 1st filling (lit)	4.0	5.7	6.3	10.2	12.5	22.7	37.4	68.5	105

As improvements in design are continually being made, this specification is not regarded as binding in detail, and dimensions are subject to alteration without notice.

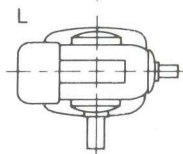
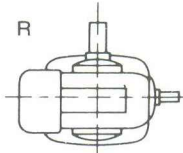
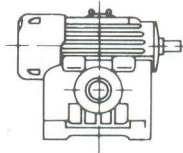
Sizes 1000 to 1400



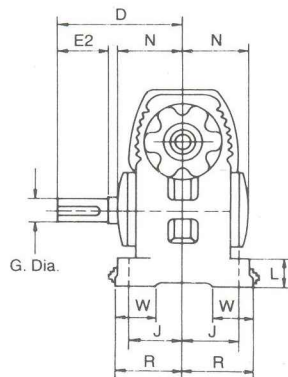
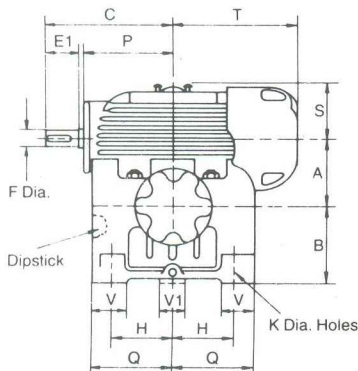
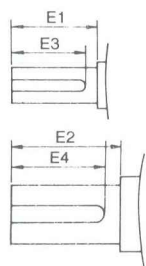
Input Shaft

Output Shaft

Shaft Handling



Size 400 to 800



Single reduction speed reducers

Principal Dimensions (mm)

SIZE	A	B	C	D	E1	E2	E3	E4	F	G	H	J	K	L	N	P	Q	R	S	T	V	V1	W	Y1	Y2	Z1	Z2
400	101.6	120.7	229	216	67	89	54	83	31.750	44.450	108.0	101.6	20.6	44	121	159	140	127	108	222	64	—	76	7.976	11.176	34.47	47.73
									31.735	44.435														7.925	11.125	34.24	47.50
500	127.0	146.1	260	248	73	102	73	95	38.100	50.800	123.8	111.1	20.6	54	133	184	164	137	117	254	70	—	83	9.576	12.751	40.72	53.98
									38.085	50.782														9.525	12.700	40.49	53.75
600	152.4	171.5	279	273	76	114	73	114	38.100	57.150	133.4	120.7	23.8	64	140	200	179	149	124	270	76	—	89	9.576	15.926	40.72	61.75
									38.085	57.135														9.525	15.875	40.49	61.52
700	177.8	196.9	318	298	86	127	83	114	44.450	63.500	152.4	133.4	23.8	70	151	229	208	162	165	305	89	—	98	11.176	15.926	47.73	68.10
									44.435	63.482														11.125	15.875	47.50	67.87
800	203.2	222.3	343	311	89	140	83	127	44.450	69.850	171.5	133.4	27.0	76	159	251	230	171	165	327	102	—	102	11.176	19.101	47.73	75.03
									44.435	69.832														11.125	19.050	47.50	74.80
1000	254.0	273.1	425	375	121	152	89	143	57.150	82.550	215.9	165.1	31.8	51	194	311	298	200	191	378	127	64	200	15.926	22.276	61.75	89.13
									57.135	82.527														15.875	22.225	61.52	88.87
1200	304.8	330.2	495	413	124	171	89	162	63.500	95.250	260.4	184.2	34.9	57	216	368	356	222	203	441	152	76	222	15.926	25.476	68.10	103.20
									63.482	95.227														15.875	25.400	67.87	102.95
1400	355.6	381.0	572	483	149	191	146	210	76.200	114.300	298.5	215.9	41.3	64	254	425	413	260	229	521	178	89	260	19.101	31.826	81.38	123.47
									76.182	114.277														19.050	31.750	81.15	123.22

Standard Nominal Ratios

400	5	7.5	10	12.5	15	20	25	30	—	40	50	60	70
500	5	7.5	10	—	15	20	25	30	35	40	50	60	70
600	5	7.5	10	—	15	20	25	30	35	40	50	60	70
700	5	7.5	10	—	15	20	25	30	35	40	50	60	70
800	5	7.5	10	—	15	20	25	30	—	40	50	60	70
1000	5	7.5	10	—	15	20	25	30	—	40	50	60	70
1200	5	7.5	10	12.5	15	20	25	30	35	40	50	60	70
1400	5	7.5	10	12.5	15	20	25	30	—	40	50	60	70

Approximate Shipping Specification and Oil Capacities

Size	400	500	600	700	800	1000	1200	1400
Net weight (kg)	71	98	130	177	225	355	550	886
Gross weight (kg)	84	114	148	204	260	405	655	950
Volume packed (cu. m)	11	15	19	27	32	71	99	1.41
Oil required at 1st filling (lit)	2.3	2.8	4.0	5.7	9.1	6.8	8.0	18.1

As improvements in design are continually being made, this specification is not regarded as binding in detail, and dimensions are subject to alteration without notice.

S. C. INDUSTRIAL SYNDICATE