

FLAMEPROOF MOTORS

Authorised Distributors



SC Industrial Syndicate

5/105, Bombay Samachar Marg, Fort, Mumbai 400 023

Tel : 022 2266 3444 / 5615 / 5439 / 1840 / 1079 Fax : 2266 0628

Website : www.scindustrial.com Email : sales@scindustrial.com

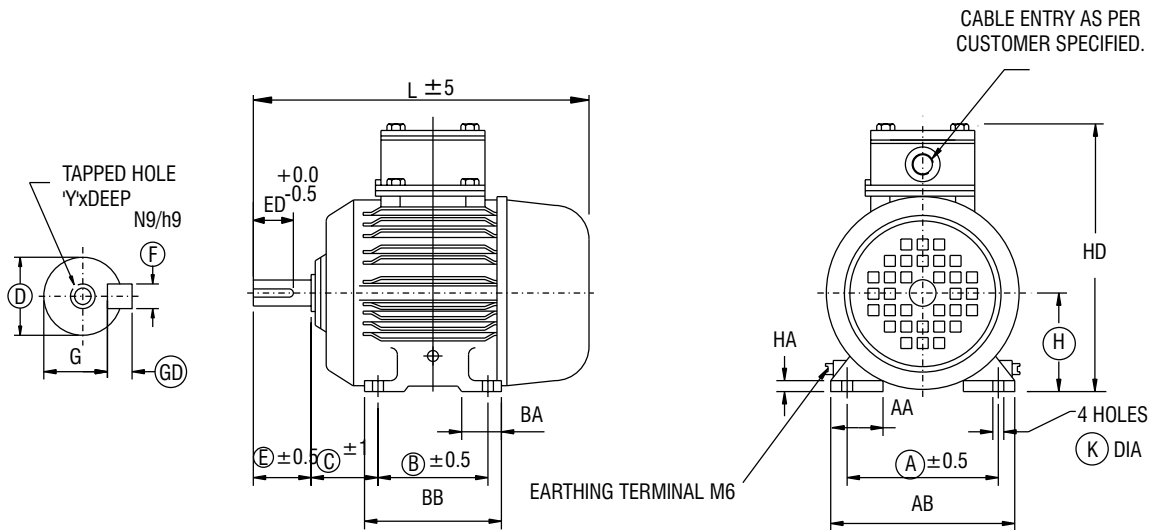
PERFORMANCE FIGURES OF FLP SCR MOTORS FOR 45 AMBIENT 75 DEGREE RISE

OUTPUT		P O L E	FRAME SIZE	FL RPM	FLC AMPS.	EFFICIENCY			POWER FACTOR			DOL STG.		GD SQ. KGM. ²	NET WT KG
KW	HP					FL	3/4 LOAD	1/2 LOAD	FL	3/4 LOAD	1/2 LOAD	STG.T %FLT	STG.C %FLC		
0.18	0.25	2	E80	2850	0.54	64.0	61.0	55.0	0.72	0.68	0.61	250	650	0.003	23
		4	E80	1400	0.55	68.0	64.0	59.0	0.67	0.63	0.57	200	500	0.007	23
		6	E80	950	0.70	58.0	52.0	45.0	0.62	0.52	0.44	220	450	0.011	23
		8	E90L	680	0.84	57.0	52.0	46.0	0.52	0.46	0.40	180	400	0.024	35
0.25	0.33	2	E80	2850	0.68	68.0	64.0	57.0	0.75	0.70	0.62	250	600	0.003	23
		4	E80	1400	0.71	70.0	66.0	59.0	0.70	0.64	0.58	200	500	0.007	23
		6	E80	930	0.89	60.0	54.0	48.0	0.65	0.54	0.48	200	400	0.011	23
		8	E90L	670	1.17	57.0	52.0	46.0	0.52	0.46	0.40	180	400	0.024	38
0.37	0.50	2	E80	2820	0.87	72.0	69.0	63.0	0.82	0.76	0.65	250	550	0.003	23
		4	E80	1410	0.97	72.0	69.0	65.0	0.74	0.7	0.64	225	500	0.007	23
		6	E80	910	1.13	65.0	63.0	59.0	0.7	0.63	0.5	200	400	0.011	23
		8	E90L	680	1.41	64.0	62.0	58.0	0.57	0.5	0.4	170	400	0.024	35
0.55	0.75	2	E80	2820	1.29	73.0	72.0	68.0	0.81	0.73	0.62	250	600	0.003	23
		4	E80	1410	1.32	77.0	74.0	69.0	0.75	0.68	0.58	200	500	0.007	23
		6	E80	910	1.56	69.0	66.0	60.0	0.71	0.63	0.5	200	400	0.011	23
		8	E90L	685	1.69	72.0	68.0	62.0	0.63	0.55	0.42	170	400	0.034	38
0.75	1.00	2	E80	2820	1.72	75.0	73.0	68.0	0.81	0.73	0.6	250	600	0.003	23
		4	E80	1410	1.81	77.0	74.0	69.0	0.75	0.68	0.58	200	500	0.007	23
		6	E90L	925	2.07	72.0	68.0	61.0	0.7	0.62	0.52	180	500	0.024	35
		8	E100L	700	2.26	71.0	67.0	61.0	0.65	0.58	0.45	175	400	0.038	49
1.10	1.50	2	E90L	2830	2.31	78.0	76.0	73.0	0.85	0.79	0.7	230	600	0.010	36
		4	E90L	1415	2.62	77.0	75.0	71.0	0.76	0.7	0.6	200	500	0.018	35
		6	E90L	925	2.95	74.0	69.0	62.0	0.70	0.62	0.52	200	500	0.034	38
		8	E100L	700	3.27	72.0	68.0	61.0	0.65	0.58	0.45	175	400	0.050	51
1.50	2.00	2	E90L	2850	3.11	79.0	77.0	73.0	0.85	0.79	0.7	230	600	0.010	36
		4	E90L	1415	3.34	80.0	79.0	77.0	0.78	0.72	0.65	200	550	0.025	38
		6	E100L	945	3.53	80.0	77.0	71.0	0.74	0.66	0.54	200	500	0.038	49
		8	E112M	715	4.04	76.0	72.0	65.0	0.68	0.6	0.5	170	450	0.130	61
2.20	3.00	2	E90L	2850	4.29	82.0	81.0	79.0	0.87	0.83	0.74	230	600	0.014	39
		4	E100L	1430	4.55	82.0	81.0	78.0	0.82	0.78	0.7	200	600	0.040	49
		6	E112M	945	5.10	80.0	79.0	77.0	0.75	0.7	0.6	200	500	0.106	60
		8	E132M	715	5.38	79.0	78.0	76.0	0.72	0.65	0.55	180	400	0.300	93
3.70	5.00	2	E100L	2850	7.13	84.0	83.0	81.0	0.86	0.82	0.75	250	600	0.029	53
		4	E112M	1430	7.57	84.0	82.0	79.0	0.81	0.78	0.73	200	600	0.099	63
		6	E132M	945	7.57	85.0	84.0	82.0	0.8	0.76	0.72	200	550	0.205	94
		8	E132M	700	8.71	81.0	79.5	77.0	0.73	0.66	0.57	180	400	0.340	98
5.50	7.50	2	E112M	2900	10.38	85.7	84.0	81.0	0.86	0.82	0.76	250	650	0.045	64
		4	E132M	1450	10.59	86.0	85.0	83.0	0.84	0.8	0.71	200	600	0.227	93
		6	E132M	945	11.11	85.0	84.0	82.0	0.81	0.77	0.73	200	500	0.330	98
		8	E160L	710	12.00	85.0	85.0	83.0	0.74	0.7	0.62	150	500	0.460	120
7.50	10.00	2	E132M	2900	13.63	87.0	85.0	82.0	0.88	0.85	0.8	250	650	0.108	98
		4	E132M	1450	14.28	87.0	86.0	85.0	0.84	0.8	0.71	200	600	0.269	98
		6	E160L	970	11.00	87.5	87.0	85.0	0.8	0.76	0.68	175	500	0.46	120
		8	E160L	710	12.00	85.0	85.0	83.0	0.76	0.72	0.64	150	500	0.64	146
9.3	12.5	2	E160L	2920	17	88.0	87.0	85.0	0.88	0.86	0.78	250	600	0.13	260
		4	E160L	1460	17	88.5	88.5	86.5	0.84	0.81	0.73	175	500	0.31	260
		6	E160L	970	18	87.5	87.0	84.0	0.80	0.76	0.68	200	550	0.59	260
		8	E180L	720	20	86.0	86.0	84.0	0.74	0.70	0.60	175	500	0.99	260
11.0	15.0	2	E160L	2920	20	88.5	88.0	86.0	0.88	0.86	0.78	250	600	0.13	260
		4	E160L	1460	21	89.0	89.0	86.0	0.82	0.79	0.70	200	500	0.36	260
		6	E160L	975	22	88.0	87.5	86.0	0.80	0.76	0.68	200	550	0.64	260
		8	E180L	720	24	87.0	87.0	85.0	0.74	0.70	0.60	175	500	1.16	285
15.0	20.0	2	E160L	2920	26	89.5	89.5	87.5	0.88	0.86	0.79	250	650	0.17	260
		4	E160L	1460	27	90.0	90.0	88.0	0.85	0.83	0.75	200	500	0.47	260
		6	E180L	975	29	90.0	90.0	88.0	0.79	0.73	0.66	250	600	1.16	285
		8	E200L	725	33	88.5	88.5	86.5	0.71	0.65	0.55	225	500	2.14	310

PERFORMANCE FIGURES OF FLP SCR MOTORS FOR 45 AMBIENT 75 DEGREE RISE

OUTPUT		P O L E	FRAME SIZE	FL RPM	FLC AMPS.	EFFICIENCY			POWER FACTOR			DOL STG.		GD SQ. KGM. ²	NET WT KG
KW	HP					FL	3/4 LOAD	1/2 LOAD	FL	3/4 LOAD	1/2 LOAD	STG.T %FLT	STG.C %FLC		
18.5	25.0	2	E160L	2920	32	90.0	90.0	88.0	0.88	0.86	0.79	250	650	0.21	260
		4	E180L	1475	34	91.0	91.0	90.0	0.84	0.80	0.72	200	500	0.81	285
		6	E200L	975	34	91.1	91.1	89.9	0.84	0.80	0.70	200	550	1.69	310
		8	E225S	725	39	89.0	88.5	87.0	0.75	0.71	0.63	150	500	3.30	330
22.0	30.0	2	E180L	2940	40	91.0	91.0	89.0	0.84	0.80	0.74	175	500	0.44	285
		4	E180L	1475	40	92.0	92.0	90.0	0.84	0.80	0.72	200	500	0.95	285
		6	E200L	975	40	91.5	91.5	90.1	0.84	0.80	0.70	200	500	2.04	310
		8	E225M	725	46	89.0	88.5	87.0	0.75	0.71	0.63	175	500	3.90	400
30.0	40.0	2	E200L	2950	52	91.5	91.0	89.0	0.87	0.84	0.80	200	600	0.80	310
		4	E200L	1475	53	92.0	92.0	90.5	0.86	0.82	0.76	225	600	1.62	310
		6	E225M	980	53	91.5	91.0	89.5	0.86	0.84	0.80	200	600	3.70	400
		8	E250M	735	63	90.5	87.0	88.5	0.73	0.69	0.61	175	550	7.49	680
37.0	50.0	2	E200L	2960	64	92.5	91.5	89.0	0.87	0.84	0.80	200	500	0.89	270
		4	E225S	1480	63	92.5	92.0	90.5	0.89	0.85	0.77	250	600	2.70	330
		6	E250M	975	65	92.0	91.5	90.0	0.86	0.82	0.74	200	600	7.51	680
		8	E280M	740	75	91.5	91.0	89.5	0.75	0.71	0.63	200	500	14.15	966
45.0	60.0	2	E225M	2955	72	92.5	90.0	88.0	0.94	0.90	0.82	200	650	1.50	400
		4	E225M	1480	76	93.0	92.5	91.0	0.89	0.85	0.77	250	600	3.20	400
		6	E280M	987	78	93.0	92.5	91.0	0.86	0.82	0.74	200	600	14.15	966
		8	E280M	740	91	92.0	91.5	90.0	0.75	0.71	0.63	200	600	14.15	966
55.0	75.0	2	E250M	2980	89	93.0	92.0	90.0	0.92	0.88	0.80	200	600	6.22	680
		4	E250M	1480	93	93.0	92.5	91.0	0.88	0.84	0.76	225	600	6.26	680
		6	E280M	987	96	93.0	92.5	91.0	0.86	0.82	0.74	200	600	14.15	966
		8	E315M	742	108	93.5	93.0	91.0	0.76	0.72	0.62	150	500	24.20	1136
75.0	100.0	2	E280M	2970	121	93.6	93.0	92.0	0.92	0.90	0.86	175	600	7.25	966
		4	E280M	1488	123	93.6	93.0	91.5	0.91	0.88	0.80	200	600	11.60	966
		6	E315M	990	130	93.5	93.0	91.5	0.86	0.82	0.74	200	600	24.20	1136
		8	E315M	742	148	93.0	92.5	91.0	0.76	0.72	0.62	150	500	24.20	1136
90.0	120.0	2	E280M	2970	142	94.0	93.5	91.5	0.94	0.90	0.82	175	600	7.25	966
		4	E280M	1488	147	93.9	93.3	91.8	0.91	0.88	0.84	200	600	11.60	966
		6	E315M	990	155	93.8	93.3	91.8	0.86	0.82	0.74	200	600	24.20	1136
		8	E315L	742	176	93.5	93.0	91.5	0.76	0.72	0.62	150	500	33.33	1752
110.0	150.0	2	E315M	2980	173	94.0	93.0	91.5	0.94	0.90	0.82	175	600	10.76	1136
		4	E315M	1488	180	94.5	93.5	92.0	0.90	0.86	0.78	175	600	20.30	1136
		6	E315L	990	189	94.0	93.5	92.0	0.86	0.82	0.74	200	600	40.00	1752
		8	E315L	742	210	93.5	93.0	91.5	0.78	0.74	0.66	150	500	40.00	1752
132.0	180.0	2	E315M	2980	207	94.5	93.0	91.5	0.94	0.90	0.82	175	600	10.76	1136
		4	E315M	1488	215	94.7	93.5	92.0	0.90	0.86	0.78	175	600	20.30	1136
		6	E315L	990	227	94.0	93.5	92.0	0.86	0.82	0.74	200	600	33.33	1752
		8	E355LX	740	263	94.5	94.5	92.5	0.74	0.70	0.60	150	500	31.80	2500
160.0	215.0	2	E315L	2980	250	94.8	93.5	92.0	0.94	0.90	0.82	175	600	16.37	1752
		4	E315L	1490	260	95.0	94.0	92.5	0.90	0.86	0.78	175	600	24.97	1752
		6	E315L	990	274	94.5	94.0	92.5	0.86	0.82	0.74	200	600	40.00	1752
		8	E355LX	743	304	95.0	94.0	92.0	0.77	0.73	0.63	140	500	36.80	2500
180.0	240.0	2	E315L	2980	280	95.0	94.5	92.5	0.94	0.90	0.82	175	600	16.37	1752
		4	E315L	1488	292	95.3	95.3	94.0	0.90	0.88	0.84	175	600	24.97	1752
		6	E355LX	990	307	95.0	94.5	93.0	0.86	0.82	0.76	140	500	33.50	2500
		8	E355LX	743	335	94.5	94.5	92.0	0.79	0.75	0.67	125	400	51.10	2500
200.0	270.0	2	E315L	2980	317	94.5	94.0	92.5	0.93	0.90	0.82	175	600	16.37	1752
		4	E315L	1488	324	94.5	94.0	92.5	0.91	0.88	0.84	200	650	31.10	1752
		6	E355LX	990	349	95.0	95.0	93.5	0.84	0.81	0.72	130	500	29.70	2500
		8	E355LX	743	371	95.0	95.0	94.0	0.79	0.75	0.66	110	400	58.10	2500
225.0	300.0	2	E355LX	2975	352	95.5	95.5	94.0	0.93	0.90	0.84	150	600	18.40	2500
		4	E355LX	1488	356	95.5	95.5	93.5	0.92	0.88	0.84	150	600	28.00	2500
		6	E355LX	991	390	95.5	95.0	94.0	0.84	0.80	0.70	130	500	31.70	2500

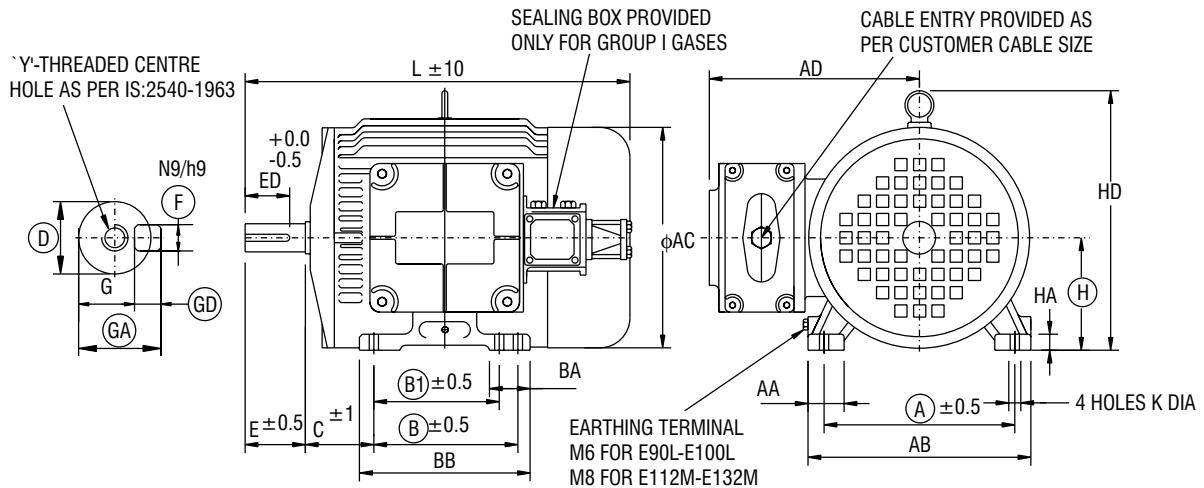
OUTLINE DIMENSION DRAWING FOR 3 PHASE SQUIRREL CAGE TEFC FOOT MOUNTED TB ON TOP FLAME PROOF INDUCTION MOTORS (FRAME:E80)



RINGED DIMENSIONS ARE AS PER IS:1231
ALL DIMENSIONS ARE IN mm

Frame	A	B	C	H	AA	AB	BA	BB	K	D	E	ED	F	GD	G	Y	AC	L	HD	HA
E80	125	100	50	80.0 / 79.5	28	152	25	124	10.0 / 10.5	19.009 / 18.996	40	27	6.00 / 5.97	6.00 / 5.97	15.5 / 15.3	M6X16	165	274	268	11

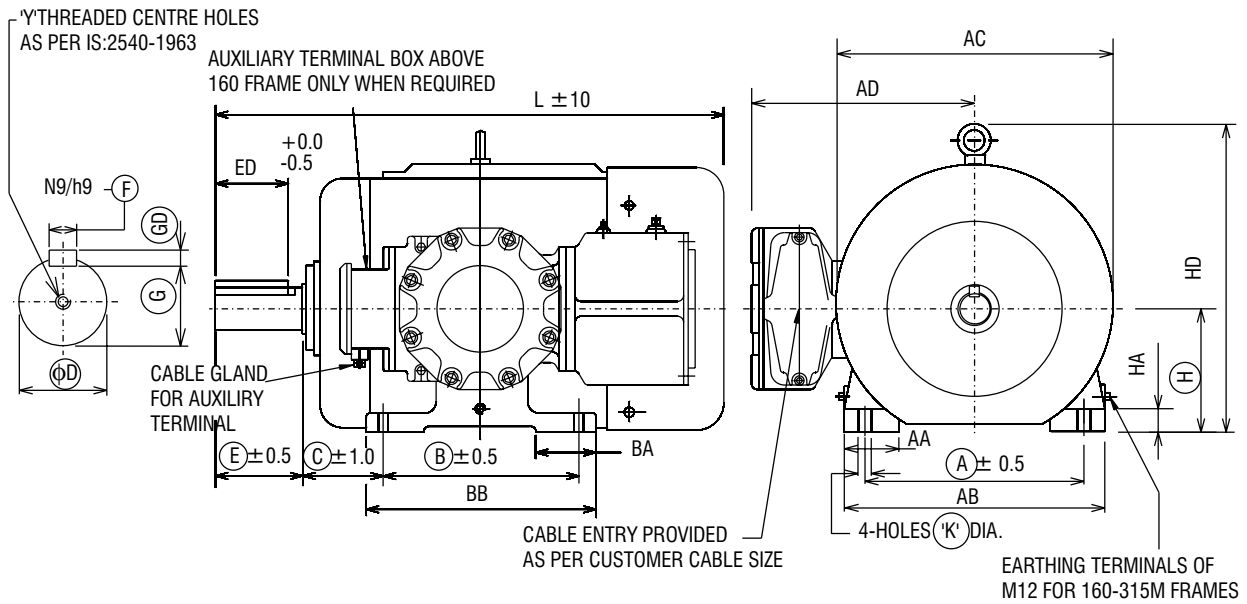
OUTLINE DIMENSION DRAWING FOR 3 PHASE SQUIRREL CAGE TEFC FOOT MOUNTED TB ON RHS FLAME PROOF INDUCTION MOTORS



RINGED DIMENSIONS ARE AS PER IS:1231
ALL DIMENSIONS ARE IN mm

Frame	A	B	C	H	AA	AB	BA	BB	K	D	E	ED	F	GD	G	Y	AD	AC	L	HD	HA
E90L	140	125	56	90.0 / 89.7	35	168	45	152	10.5 / 10.0	24.009 / 23.996	50	36	8.00 / 7.957	7.00 / 6.91	20.0 / 19.8	M8x19	240	210	335	195	13
E100L	160	140	63	100.0 / 99.7	38	198	51	170	12.5 / 12.0	28.009 / 27.996	60	44	8.00 / 7.957	7.0 / 6.91	24.0 / 23.8	M10X22	255	240	380	220	13
E112M	190	140	70	112.0 / 111.7	38	228	60	171	12.5 / 12.0	28.009 / 27.996	60	44	8.00 / 7.957	7.0 / 6.91	24.0 / 23.8	M10X22	265	270	400	245	14
E132M	216	178	89	132.0 / 131.7	48	254	64	216	12.5 / 12.0	38.018 / 38.002	80	60	10.0 / 9.957	8.0 / 7.91	33.0 / 32.8	M12X28	285	320	500	290	16

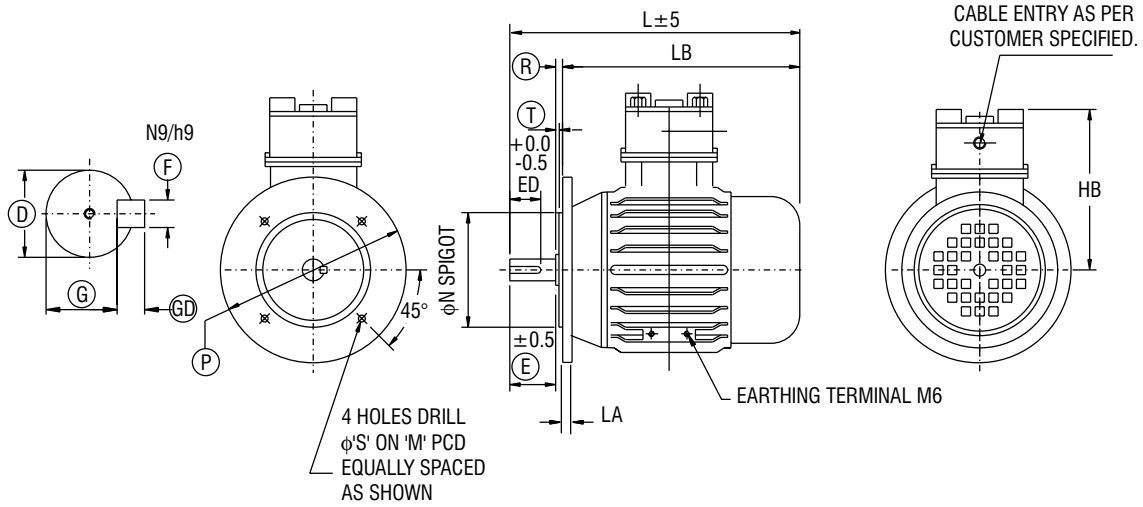
**OUTLINE DIMENSION DRAWING FOR 3 PHASE SQUIRREL CAGE
TEFC FOOT MOUNTED TB RHS FLAME PROOF INDUCTION MOTORS
(4 POLE & UP FOR ALL FRAMES 2 POLE & UP TO ND200L FRAMES)**



RINGED DIMENSIONS ARE AS PER IS:1231
ALL DIMENSIONS ARE IN mm

Frame	A	B	B1	C	H	AA	AB	BA	BB	K	D	E	ED	F	GD	G	Y	AD	AC	L	HD	HA
4 POLE & UP																						
E160L	254	254	210	108	160.0 / 159.7	54	298	101	298	15.5 / 15.0	42.018 / 42.002	110	80	12.00 / 11.957	8.00 / 7.91	37.0 / 36.8	M16X32	345	320	655	376	22
E180L	279	279	241	121	180 / 179.7	60	337	107	323	15.5 / 15.0	48.018 / 48.002	110	80	14.00 / 13.957	9.00 / 8.91	42.5 / 42.3	M16X32	362	370	725	418	22
E200L	318	305	-	133	200.0 / 199.5	66	381	105	356	19.5 / 19.0	55.030 / 55.011	110	80	16.00 / 15.957	10.00 / 9.91	49.0 / 48.8	M20X40	400	435	790	480	25
E225S	356	286	-	149	225.0 / 224.5	70	425	114	349	19.5 / 19.0	60.030 / 60.011	140	110	18.00 / 17.957	11.00 / 10.91	53.0 / 52.8	M20X40	402	490	832	525	25
E225M	356	311	-	149	225.0 / 224.5	70	425	114	375	19.5 / 19.0	60.030 / 60.011	140	110	18.00 / 17.957	11.00 / 10.91	53.0 / 52.8	M20X40	402	490	857	525	25
E250M	406	349	-	168	250.0 / 249.5	90	483	160	419	24.5 / 24.0	65.030 / 65.011	140	110	18.00 / 17.957	11.00 / 10.91	58.0 / 57.8	M20X40	440	560	977	605	32
E280M	457	419	368	190	280.0 / 279.0	95	540	155	489	24.5 / 24.0	75.030 / 75.011	140	110	20.00 / 19.948	12.00 / 11.91	67.5 / 67.3	M20X40	476	620	1094	660	38
E315M	508	457	-	216	315.0 / 314.0	100	597	190	533	28.5 / 28.0	80.030 / 80.011	170	140	22.00 / 21.948	14.00 / 13.91	71.0 / 70.8	M20X40	516	705	1220	775	38

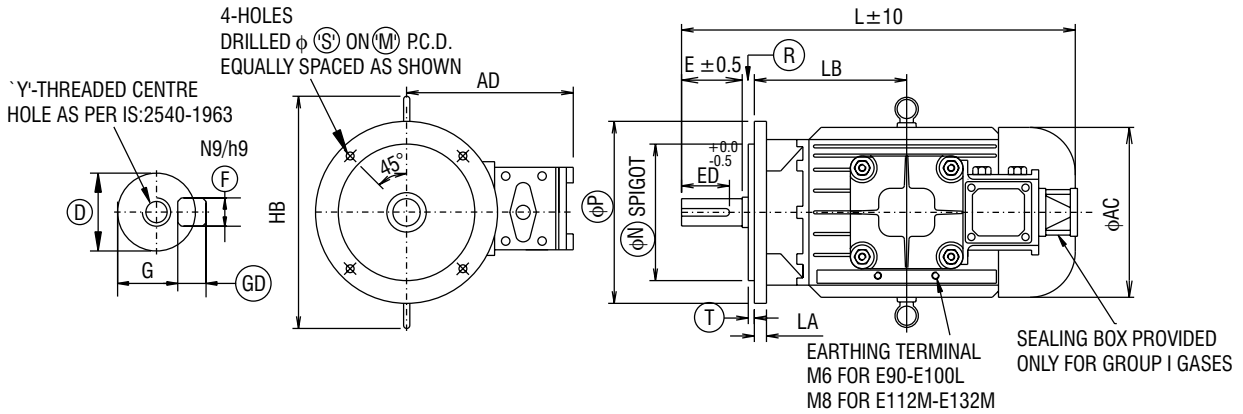
**OUTLINE DIMENSION DRAWING FOR 3 PHASE SQUIRREL CAGE
TEFC FLANGE MOUNTED FLAME PROOF INDUCTION MOTORS (FRAME:E80)**



RINGED DIMENSIONS ARE AS PER IS:2223
ALL DIMENSIONS ARE IN mm

Frame	D	E	ED	F	GD	G	Y	AD	AC	L	MTol	NTol	P	S	T	LA	LB	HB
E80	19.009/ 18.996	40	27	6.00/ 5.97	6.00/ 5.97	15.5/ 15.3	M6X16	205	165	274	165.3/ 164.7	130.014/ 129.989	200	12	3.5	10	245	188

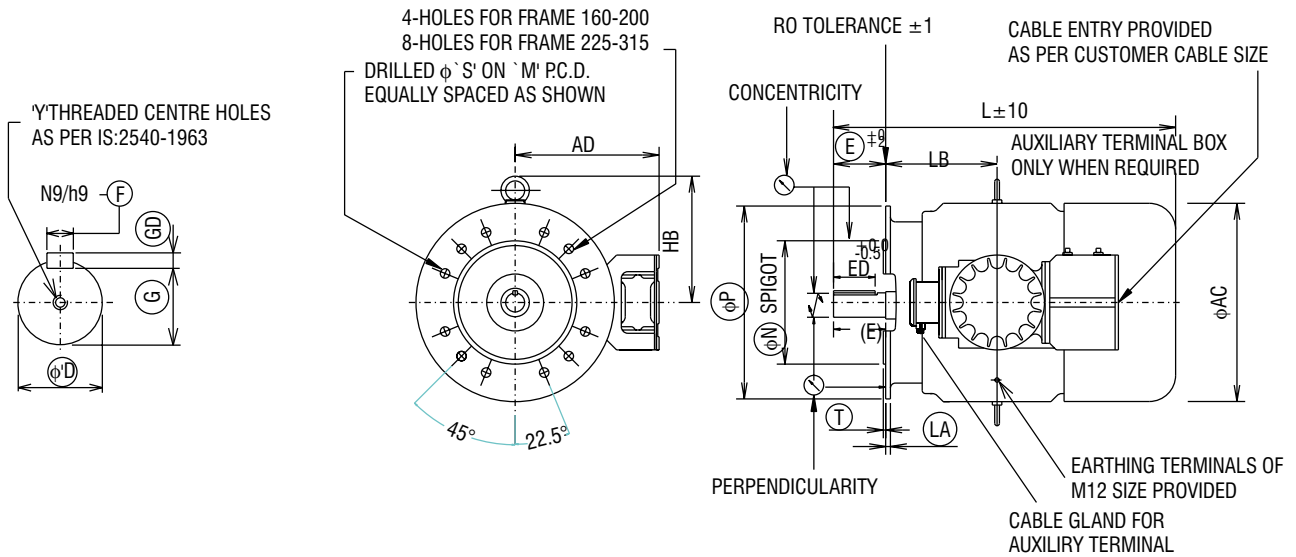
**OUTLINE DIMENSION DRAWING FOR 3 PHASE SQUIRREL CAGE
TEFC FLANGE MOUNTED FLAME PROOF INDUCTION MOTORS**



RINGED DIMENSIONS ARE AS PER IS:2223
ALL DIMENSIONS ARE IN mm

Frame	D	E	ED	F	GD	G	Y	AD	AC	L	MTol	NTol	P	S	T	LA	LB	HB
E90L	24.009/ 23.996	50	36	8.00/ 7.957	7.00/ 6.91	20.0/ 19.8	M8x19	240	210	380	165.3/ 164.7	130.014/ 129.989	200	12	3.5	10	137	300
E100L	28.009/ 27.996	60	44	8.00/ 7.957	7.0/ 6.91	24.0/ 23.8	M10X22	255	240	415	215.3/ 214.7	180.016/ 179.987	250	15	4	11	320	330
E112M	28.009/ 27.996	60	44	8.00/ 7.957	7.0/ 6.91	24.0/ 23.8	M10X22	270	270	425	215.3/ 214.7	180.016/ 179.987	250	15	4	11	345	350
E132M	38.018/ 37.996	80	60	10.0/ 9.957	8.0/ 7.91	33.0/ 32.8	M12X28	290	320	520	265.3/ 264.7	230.016/ 229.987	300	15	4	13	177	440

OUTLINE DIMENSION DRAWING FOR 3 PHASE SQUIRREL CAGE TEFC FLANGE MOUNTED FLAME PROOF INDUCTION MOTORS (4 POLE & UP FOR ALL FRAMES & 2 POLE & UPTO ND200L)



RINGED DIMENSIONS ARE AS PER IS:2223
ALL DIMENSIONS ARE IN mm

Frame	D	E	ED	F	GD	G	Y	AD	AC	L	MTol	NTol	P	S	T	LA	LB	HB
E160L	42.018/ 42.002	110	80	12.00/ 11.957	8.00/ 7.91	37.0/ 36.8	M16X32	345	320	655	300.5/ 299.5	250.016/ 249.987	350	19	5	18	235	220
E180L	48.018/ 48.002	110	80	14.00/ 13.957	9.00/ 8.91	42.5/ 42.3	M16X32	362	370	750	300.5/ 299.5	250.016/ 249.987	350	19	5	18	261	245
E200L	55.030/ 55.011	110	80	16.00/ 15.957	10.00/ 9.91	49.0/ 48.8	M20X40	400	435	790	350.5/ 349.5	300.016/ 299.984	400	19	5	18	286	280
E225S	60.030/ 60.011	140	110	18.00/ 17.957	11.00/ 10.91	53.0/ 52.8	M20X40	402	490	832	400.5/ 399.5	350.018/ 349.982	450	19	5	19	292	300
E225M	60.030/ 60.011	140	110	18.00/ 17.957	11.00/ 10.91	53.0/ 52.8	M20X40	402	490	857	400.5/ 399.5	350.018/ 349.982	450	19	5	19	305	300
E250M	65.030/ 65.011	140	110	18.00/ 17.957	11.00/ 10.91	58.0/ 57.8	M20X40	440	560	977	500.5/ 499.5	450.020/ 449.980	550	19	5	22	343	355
E280M	75.030/ 75.011	140	110	20.00/ 19.48	12.00/ 11.91	67.5/ 67.3	M20X40	476	620	1094	500.5/ 499.5	450.020/ 449.980	550	19	5	22	400	380
E315M	80.030/ 80.011	170	140	22.00/ 21.948	14.00/ 13.91	71.0/ 70.8	M20X40	516	705	1220	601.0/ 599.0	550.022/ 549.978	660	24	6	25	445	460

Authorised Distributors



SC Industrial Syndicate

5/105, Bombay Samachar Marg, Fort, Mumbai 400 023

Tel : 022 2266 3444 / 5615 / 5439 / 1840 / 1079 Fax : 2266 0628

Website : www.scindustrial.com Email : sales@scindustrial.com