



Smart solutions.
Strong relationships.

"CZ" End Suction Pumps (Bare shaft / Coupled set)



Authorised Distributors



SC Industrial Syndicate

5/105, Bombay Samachar Marg, Fort, Mumbai 400 023

Tel : 022 2266 3444 / 5615 / 5439 / 1840 / 1079 Fax : 2266 0628

Website : www.scindustrial.com Email : sales@scindustrial.com

CZ Series End Suction Pumps

Crompton Greaves Ltd. Is an Indian MNC, member of "AVANTHA" group conglomerate with an impressive global footprint operating over 10 countries and has a leadership position in most of its lines of business.

CGL is designing and manufacturing dependable innovative range of centrifugal pumps for over 45 years and supplying to various core sectors of global economy like Water & Waste Water Management, Irrigation, Water Works, Fire Fighting, Processing, Power, Fertilizer, Refinery, Paper, Sugar and Steel Mills. Today CGL is the company having a wide product range of more than 2000 varied pump models catering to different areas of domestic as well as export market.

CZ- End Suction Pumps provides a new generation of pumps having broad hydraulic range with low cost of ownership, with reliable performance in variety of services. CZ pumps are available as bare shaft & coupled sets.

Benefits :

• Excellent Pump performance

Efficient operation
Low NPSHR
Vibration free performance
Low noise

• Versatility

Multiple configurations
Optimum parts interchangeability
Reliable performance in various applications
Easy Installation

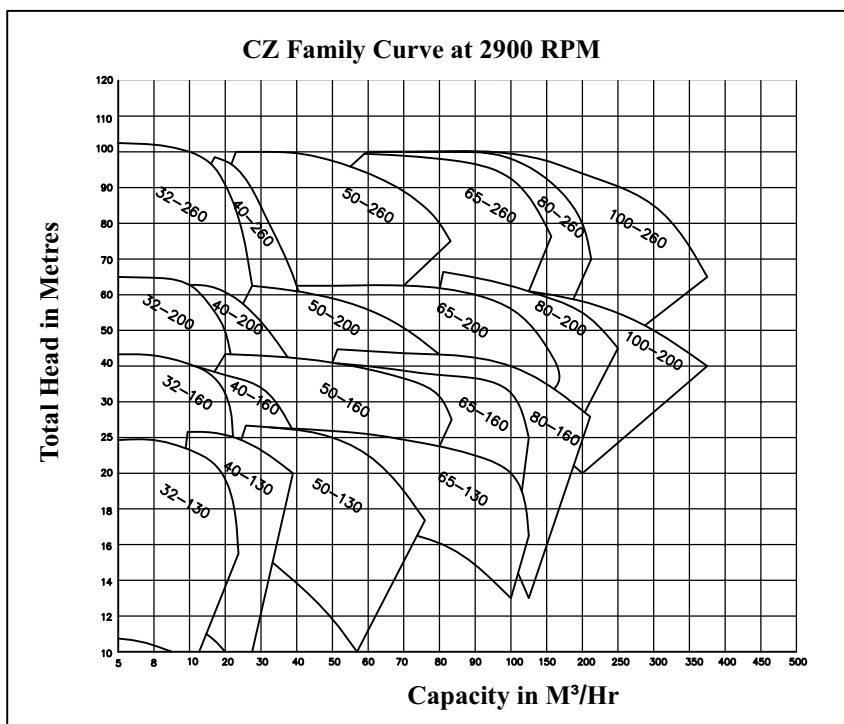
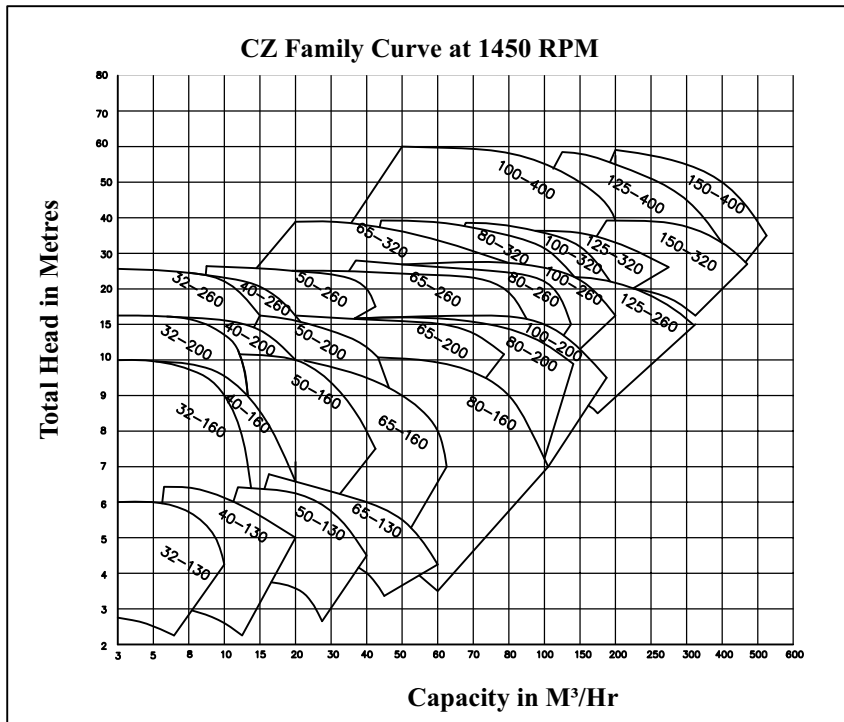
• Low Life Cycle Cost

Sturdy construction
Back Pull Out design
Shaft designed for higher loads, minimizes deflection
Stainless Steel sleeve to protect the shaft
Prolong life span
Longer bearing life

Applications

- HVAC
- Fire fighting
- Water management in commercial & residential buildings
- Water Treatment Plants
- Cooling towers
- Steel plants
- Irrigation & Agriculture sector
- Water supply in cities, towns, villages, colonies, municipal corporations
- Utility pumps in industries / factories & Petroleum sector

Family Range



Operating Features

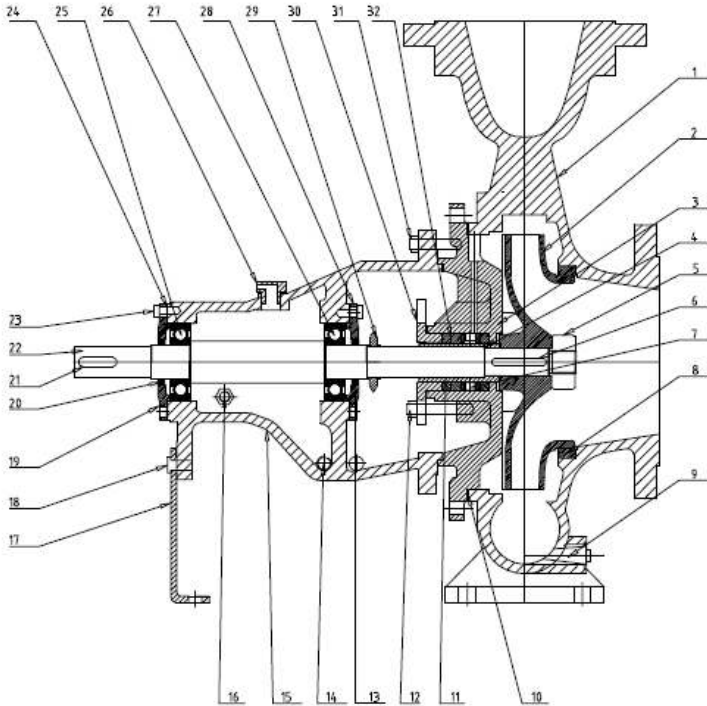
- Capacity Up to 500 m³ /hr
- Head Up to 100 meters
- Temperature - Up to 70° C
- Delivery sizes 32 to 150 mm
- Casing Pressure Up to 16 Kg/cm². 105° C with mechanical seal
- Flanges in accordance with DIN2533
- Horizontal Back Pull Out Design for easy inspection and maintenance
- Engineered Enclosed Impellers for smooth and efficient operation
- Robust Bearing housing
- Deep groove ball bearing for longer operating hours & bearing life
- Stuffing box with versatile shaft sealing arrangement
- Shaft designed for higher loads, minimizes deflection, reduces wear, increases mechanical seal life
- Stainless Steel sleeve to protect the shaft
- Available in various MOC combinations to perform reliably in variety of services/applications
- Available in 34 sizes, comprises of broad hydraulic capabilities to meet various applications
- Direction of rotation – Clockwise viewed from Driving End
- Casing – Volute type End Suction with top discharge, supporting feet are cast integral with the Casing
- Lubrication – Standard lubrication is grease. Oil lubrication can be offered against requirement.

Pump Performance Range

Frequency	50Hz	50Hz
Pole	2	4
RPM	2900	1450
Discharge (M ³ /hr)	350	500
Head (M) Upto	100	60

"CZ" End Suction Pumps

SC Industrial Syndicate



CODE NO	PART NAME	QTY
1	VOLUTE CASING	1
2	IMPELLER	1
3	STUFFING BOX	1
4	GASKET (INP/SLEEVE)	1
5	IMPELLER NUT	1
6	KEY IMPELLER	1
7	LANTERN RING	1
8	WEAR RING	1
9	CASING PLUG (DRAIN)	1
10	GASKET (ST.BOX/CASING)	1
11	SLEEVE	1
12	STUD (GLAND / S.BOX)	2
13	OIL SEAL (INNER)	1
14	PLUG OIL DRAIN	1
15	BEARING HOUSING	1
16	OIL LEVEL SIGHT GLASS	1
17	SUPPORT FOOT	1
18	BOLT SUPPORT	1
19	BEARING COVER OUTER	1
20	OIL SEAL (OUTER)	1
21	KEY COUPLING	1
22	SHAFT	1
23	BOLT OUTER COVER	8
24	GASKET OUTER COVER	1
25	BEARING COUPLING END	1
26	BEARING HOUSING VENT	1
27	BEARING PUMP END	1
28	BEARING COVER INNER	1
29	WATER DEFLECTOR	1
30	GLAND	1
31	STUD S.BOX	6
32	GLAND PACKING	1 SET

Available in following MOC's

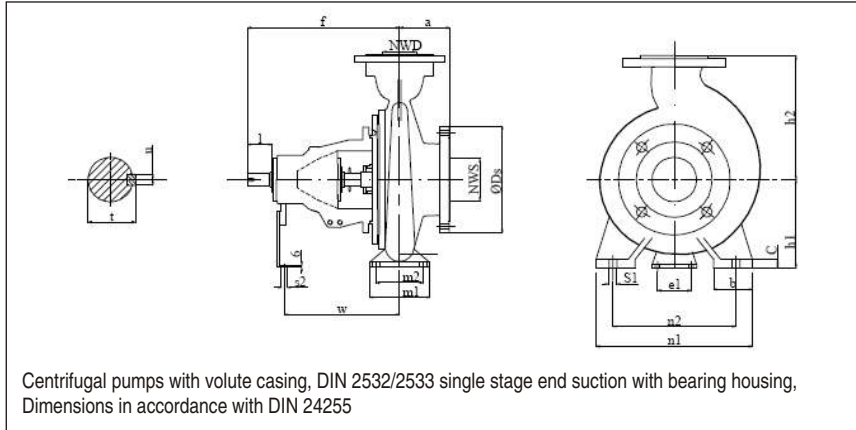
MOC Code	Casing	Impeller	Shaft	Stuffing box	Sleeve	Wearing ring
Z1	CI	CI	EN8	Gland pack	SS410	CI
Z2	CI	BR	EN8	Gland pack	SS410	BR
Z3	CI	BR	SS410	Gland pack	SS410	BR
M1	CI	CI	EN8	Mechanical seal	SS410	CI
M2	CI	BR	EN8	Mechanical seal	SS410	BR
M3	CI	BR	SS410	Mechanical seal	SS410	BR

(MOC - Material of construction)

"CZ" End Suction Pumps

SC Industrial Syndicate

Overall Dimensional Drawing



PUMP SIZE	UNIT NO.	PUMP DIMENSION															SHAFT END				
		NWD	NWS	a	f	h1	h2	b	c	m1	m2	n1	n2	s1	e1	s2	w	d	l	t	u
CZ 32/130	25Z	32	50	80	360	112	140	50	14	100	70	190	140	14	100	14	267	24	50	27	8
CZ 32/160	25Z	32	50	80	360	132	160	50	14	100	70	240	190	14	100	14	267	24	50	27	8
CZ 32/200	25Z	32	50	80	360	160	180	50	14	100	70	240	190	14	100	14	267	24	50	27	8
CZ 32/260	25Z	32	50	100	360	180	225	65	14	125	95	320	250	14	100	14	267	24	50	27	8
CZ 40/130	25Z	40	65	80	360	112	140	50	14	100	70	210	160	14	100	14	267	24	50	27	8
CZ 40/160	25Z	40	65	80	360	132	160	50	14	100	70	240	190	14	100	14	267	24	50	27	8
CZ 40/200	25Z	40	65	100	360	160	180	50	14	100	70	265	212	14	110	14	267	24	50	27	8
CZ 40/260	25Z	40	65	100	360	180	225	65	14	125	95	320	250	14	110	14	267	24	50	27	8
CZ 40/320	35Z	40	65	125	470	200	250	65	14	125	95	345	280	14	110	14	342	32	80	35	10
CZ 50/130	25Z	50	65	100	360	132	160	50	14	100	70	240	190	14	110	14	267	24	50	27	8
CZ 50/160	25Z	50	65	100	360	160	180	50	14	100	70	265	212	14	110	14	267	24	50	27	8
CZ 50/200	25Z	50	65	100	360	160	200	50	14	100	70	265	212	14	110	14	267	24	50	27	8
CZ 50/260	25Z	50	65	100	360	180	225	65	14	125	95	320	250	14	110	14	267	24	50	27	8
CZ 50/320	35Z	50	80	125	470	225	280	65	14	125	95	345	280	14	110	14	342	32	80	35	10
CZ 65/130	25Z	65	80	100	360	160	180	65	14	125	95	280	212	14	110	14	267	24	50	27	8
CZ 65/160	25Z	65	80	100	360	160	200	65	14	125	95	280	212	14	110	14	267	24	50	27	8
CZ 65/200	25Z	65	80	100	360	180	225	65	14	125	95	320	250	14	110	14	267	24	50	27	8
CZ 65/260	35Z	65	80	100	470	200	250	80	16	160	120	360	280	18	110	14	342	32	80	35	10
CZ 65/320	35Z	65	80	125	470	225	280	80	16	160	120	400	315	18	110	14	342	32	80	35	10
CZ 80/160	25Z	80	100	125	360	180	225	65	14	125	95	320	250	14	110	14	342	32	80	27	8
CZ 80/200	35Z	80	100	125	470	180	250	65	14	125	95	345	280	14	110	14	342	32	80	35	10
CZ 80/260	35Z	80	100	125	470	200	280	80	16	160	120	400	315	18	110	14	342	32	80	35	10
CZ 80/320	35Z	80	100	125	470	250	315	80	16	160	120	400	315	18	110	14	342	32	80	35	10
CZ 100/200	35Z	100	125	125	470	200	280	80	16	160	120	360	280	18	110	14	342	32	80	35	10
CZ 100/260	35Z	100	125	140	470	225	280	80	16	160	120	400	315	18	110	14	342	32	80	35	10
CZ 100/320	35Z	100	125	140	470	250	315	80	16	160	120	400	315	18	110	14	342	32	80	35	10
CZ 100/400	45Z	100	125	140	530	280	355	100	18	200	150	500	400	23	110	14	370	42	110	45	12
CZ 125/260	35Z	125	150	140	470	250	355	80	16	160	120	400	315	18	110	14	342	32	80	35	10
CZ 125/320	45Z	125	150	140	530	280	355	100	18	200	150	500	400	23	110	14	370	42	110	45	12
CZ 125/400	45Z	125	150	140	530	315	400	100	18	200	150	500	400	23	110	14	370	42	110	45	12
CZ 150/260	45Z	150	200	160	530	280	400	100	18	200	150	500	400	23	110	14	370	42	110	45	12
CZ 150/320	45Z	150	200	160	530	280	400	100	18	200	150	550	450	23	110	14	370	42	110	45	12
CZ 150/400	45Z	150	200	160	530	315	450	100	18	200	150	550	450	23	110	14	370	42	110	45	12

"As the design & manufacture of Crompton Greaves equipments are subject to constant improvement, the product supplied may differ in some details from specifications & illustrations given"