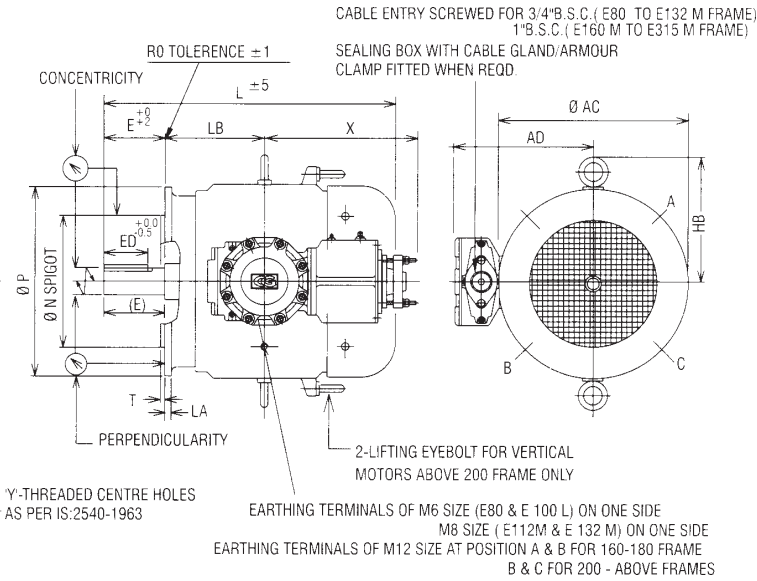
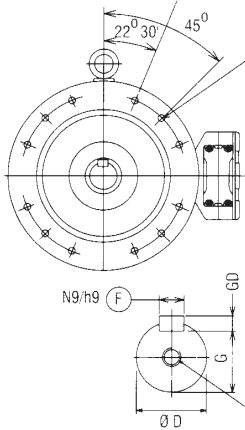


DIMENSION DRAWING FOR 3 PHASE SQUIRREL CAGE TEFC FLANGE MOUNTED FLAME PROOF INDUCTION MOTORS CONFORMING TO IS:2223

4-HOLES FOR FRAME 80-200
8-HOLES FOR FRAME 225-315
DRILLED Ø 'S' ON 'M' P.C.D.
EQ-SPACED AS SHOWN



ALL DIMENSIONS ARE IN mm.

EARTHING TERMINALS OF M6 SIZE (E80 & E 100 L) ON ONE SIDE
M8 SIZE (E 112M & E 132 M) ON ONE SIDE
EARTHING TERMINALS OF M12 SIZE AT POSITION A & B FOR 160-180 FRAME
B & C FOR 200 - ABOVE FRAMES

FRAME SIZE	FLANGE FIXING						SHAFT AND KEY *							OVERALL					
	M TOL	N TOL	P	S	T	LA	D TOL	E	ED	F TOL	GD TOL	G	Y	AD	AC	L	LB	HB	X
E 80D	165.3 164.7	130.014 129.989	200	12	3.5	10	19.009 18.996	40	27	6.00 5.97	6.00 5.91	15.5 15.4	M6 x16	190	165	285	245	245	307
E 90LD	165.3 164.7	130.014 129.989	200	12	3.5	10	24.009 23.996	50	32	8.00 7.964	7.00 6.91	20.0 19.8	M8 x19	240	210	380	330	150	
E100LD	215.3 214.7	180.014 179.989	250	15	4	11	28.009 27.996	60	40	8.00 7.964	7.00 6.91	24.0 23.8	M10 x22	255	240	415	355	165	
E112MD	215.3 214.7	180.014 179.989	250	15	4	11	28.009 27.996	60	40	8.0 7.964	7.00 6.91	24.0 23.8	M10 x22	260	270	425	365	175	409
E132MD	265.3 264.7	230.016 229.987	300	15	4	13	38.018 38.002	80	56	10.00 9.965	8.00 7.91	33.0 32.8	M16x32	290	320	520	440	220	
E160MD E160LD	300.5 299.5	250.016 249.987	350	19	5	18	42.018 42.002	110	80	12.00 11.957	8.00 7.91	37.0 36.8		335	372	630	262.5	240	
E180MD E180LD	350.5 349.5	300.016 299.984	400	19	5	18	48.018 48.002	110	80	14.00 13.957	9.00 8.91	42.5 42.3		360	425	705	260.5	275	
E200LD	350.5 349.5	300.016 299.984	400	19	5	18	55.030 55.011	110	80	16.00 15.957	10.00 9.91	49.0 48.8	M20x40	380	454	748	285.5	295	
E225SD E225MD	400.5 399.5	350.018 349.982	450	19	5	19	60.030 60.011	140	110	18.00 17.957	11.00 10.91	53.0 52.8		402	490	805 830	292.0 304.5	300	443
E250SD E250MD	500.5 499.5	450.020 449.980	550	19	5	22	65.030 65.011	140	110	18.00 17.957	11.00 10.91	58.0 57.8		440	560	965	342.5	355	
E280SD E280MD	601.0 599.0	550.022 549.978	660	24	6	25	75.030 75.011	140	110	20.00 19.948	12.00 11.91	67.5 67.3	476	620	1070	399.5	380		
E315SD E315MD	601.0 599.0	550.022 549.978	660	24	6	25	80.030 80.011	170	140	22.00 21.948	14.00 13.91	71.0 70.8	516	705	1200	444.5	460		

* ABOVE 200 FRAMES MACHINES RUNNING AT 3000 RPM HAVE SMALLER SHAFTS AS SHOWN HERE	FRAME SIZE	D TOL	E	ED	F TOL	GD TOL	G	L	
								SD	MD
	E 225	55.030/55.011	110	80	16.0/15.957	10.0/9.91	49.0/48.8	775	800
	E 250	60.030/60.011	140	110	18.0/17.957	11.0/10.91	53.0/52.8	-	965
E 280	65.030/65.011	140	110	18.0/17.957	11.0/10.91	58.0/57.8	-	1070	
E 315							-	1170	

FRAME SIZE	CONCENTRICITY IN MICRON		PERPENDICULARITY IN MICRON		RUNOUT IN MICRON	
	NORM.		NORM.		SHAFT Ø D	NORM.
160-280	125		125		30-50	50
315	160		160		50-80	60