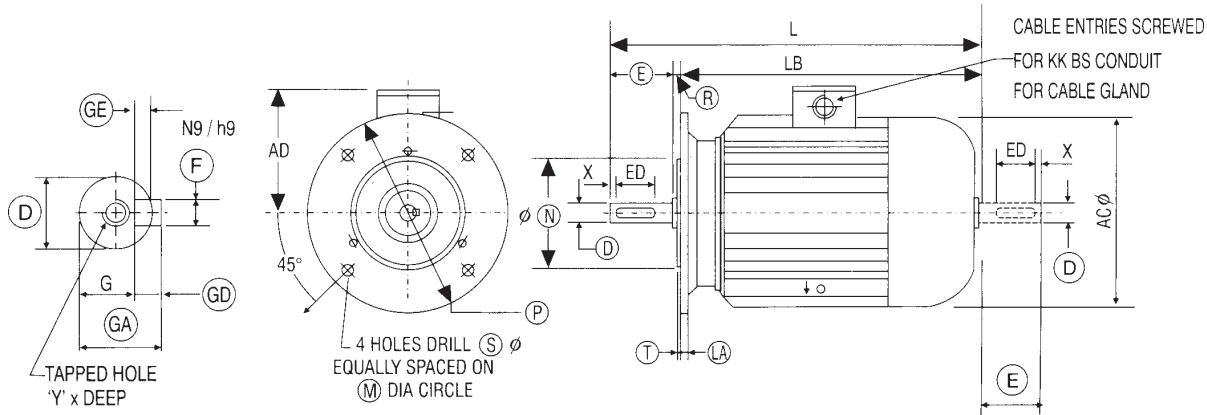


OUTLINE DIMENSION DRAWING FOR 3 PHASE SQUIRREL CAGE TEFC FLANGE MOUNTED ALUMINIUM BODY INDUCTION MOTORS FOR AD63 TO AD80 FRAMES



KEY		KEY WAY		SHAFT				FLANGE FIXING		
GD	F	ED	F	GE	D			N	M	ON
h11	h9		N9	-	k6	j6		j6		GR.
6 to 10	3 to 6	6 to 10	3 to 6	upto 3.5	30 to 50	18 to 30	10 to 18	180 to 250	upto 265	RANGE
- 0.090	- 0.030	- 0.036	- 0.036	0	+ 0.018	- 0.004	+ 0.003	+ 0.016	+ 0.300	TOL.
	0	0	0	+ 0.100	+ 0.002	+ 0.009	- 0.008	- 0.013	- 0.300	
	0	0	0	0	0	+ 0.007	+ 0.002	+ 0.007	+ 0.014	
	0	0	0	0	0	+ 0.002	+ 0.008	+ 0.016	+ 0.014	
	0	0	0	0	0	+ 0.002	+ 0.003	+ 0.016	+ 0.011	
	0	0	0	0	0	+ 0.002	+ 0.003	+ 0.016	+ 0.011	
	0	0	0	0	0	+ 0.002	+ 0.003	+ 0.016	+ 0.011	

FRAME SIZE	FLANGE FIXING							SHAFT AND KEY									YxDEEP	OVERALL (MAX)				KK
	M	N	P	R	S	T	LA	D	E	ED	F	G	GA	GD	GE	X		AC	L	LB	AD	
AD63D	115	95	140	0	10	3	9	11	23	18	4	8.5	12.5	4	2.5	2.5	M4x10	125	220	197	100	3/4"
AD71D	130	110	160	0	10	3.5	9	14	30	25	5	11	16	5	3	2.5	M5x12.5	145	250	220	100	3/4"
AD80D	165	130	200	0	12	3.5	10	19	40	27	6	15.5	21.5	6	3.5	-	M6x16	165	285	245	120	3/4"

1. DIMENSIONS COMPLY WITH IS : 2223 AND ARE IN MM. EXCEPT CONDUIT ENTRY.
2. TERMINAL BOX CAN BE TURNED THROUGH 360° IN STEP OF 90°, EXCEPT FOR FRAME AD80 WHICH HAS TERMINAL BOX INTEGRAL WITH BODY & CABLE ENTRY ON EITHER SIDE.
3. AD63 & AD71 KEY WAY IS CLOSED WHILE FOR AD80 AND ABOVE FRAMES KEYWAY IS OPEN ON SHAFT.
4. ALL DIMENSIONS ARE SUBJECT TO CONFIRMATION.
5. PLASTIC IS USED FOR AD63 TO AD80 FRAME.