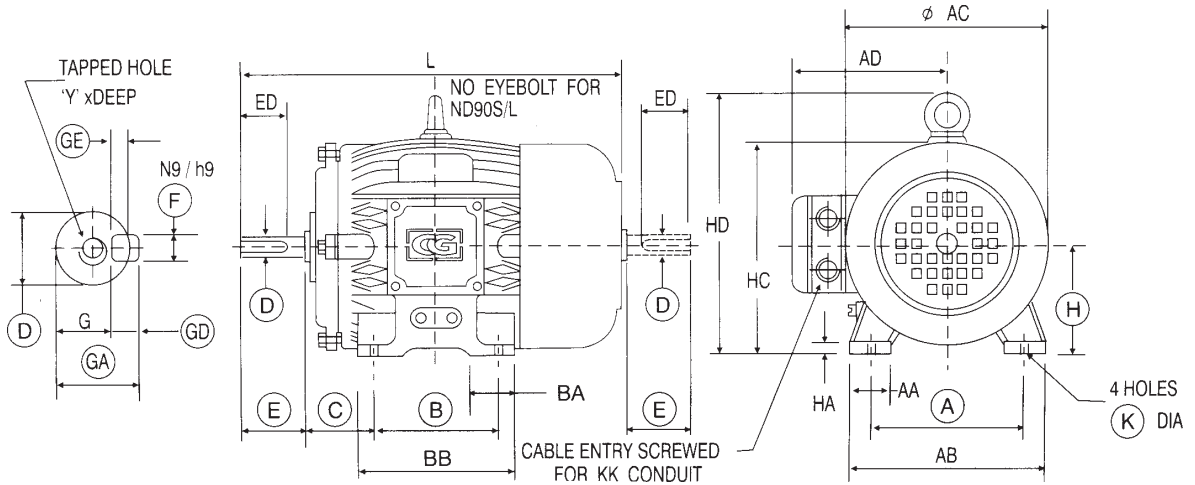


## OUTLINE DIMENSION DRAWING FOR 3 PHASE SQUIRREL CAGE TEFC FOOT MOUNTED CAST IRON BODY INDUCTION MOTORS FOR ND90 TO ND132 FRAMES



KEY		KEY WAY		SHAFT				FIXING		ON	GR.	RANGE	TOL.
GD	F	ED	F	GE	D			H	K				
h11	h9	h9	N9	-	k6	j6		-	H14				
6 to 10	3 to 6	6 to 10	8 to 10	upto 3.5	30 to 50	18 to 30	10 to 18	ALL	12	10	0	0	
-	0	-	0	0	+ 0.018	+ 0.009	+ 0.008	- 0.500	0	- 0.036	0	0	
0.090	0.030	0.036	0.036	0.200	0.002	0.004	0.003		0.043				

FRAME SIZE	FOOT FIXING								SHAFT AND KEY								OVERALL (MAX)								
	A	B	C	H	AA	AB	BA	BB	K	D	E	ED	F	G	GA	GD	GE	YxDEEP	AD	AC	L	HC	HD	HA	KK
ND90S ND90L	140	100 125	56	90	35	168	40	127 152	10	24	50	36	8	20	27	7	4	M8 x 19	150	195	315 340	185	-	13	1"
ND100L	160	140	63	100	36	192	45	170	12	28	60	44	8	24	31	7	4	M10 x 22	160	215	380	205	250	13	1"
ND112M	190	140	70	112	36	222	50	170	12	28	60	44	8	24	31	7	4	M10 x 22	170	235	405	230	275	13	1"
ND132S ND132M	216	140 178	89	132	48	254	54	178 216	12	38	80	60	10	33	41	8	5	M12 x 28	190	275	470 510	270	320	16	1"

1. DIMENSIONS COMPLY WITH IS : 1231 AND ARE IN MM., EXCEPT CONDUIT ENTRY.
2. TERMINAL BOX CAN BE TURNED THROUGH 360° IN STEP OF 90°.
3. CABLE ENTRY : 1 No. FOR DOL STARTING & TWO Nos. FOR STAR DELTA STARTING/MULTISPEED MOTOR
4. TERMINAL BOX ON LEFT HAND SIDE LOOKING FROM DRIVING END CAN BE PROVIDED WHEN SPECIFIED.
5. ALL DIMENSIONS ARE SUBJECTED TO CONFIRMATION.